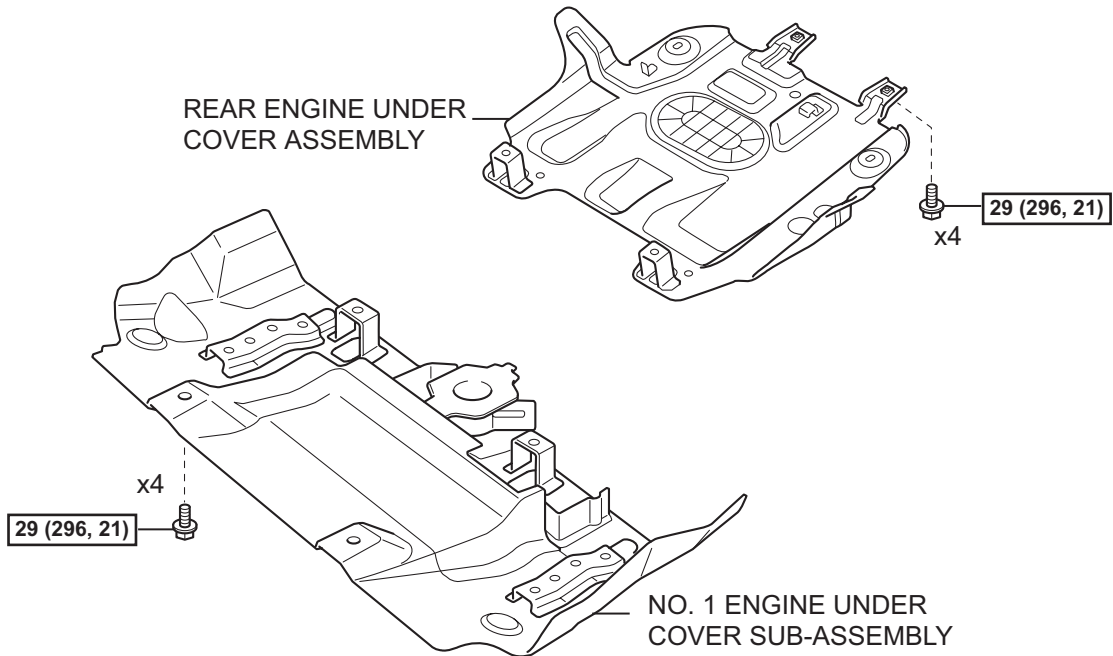
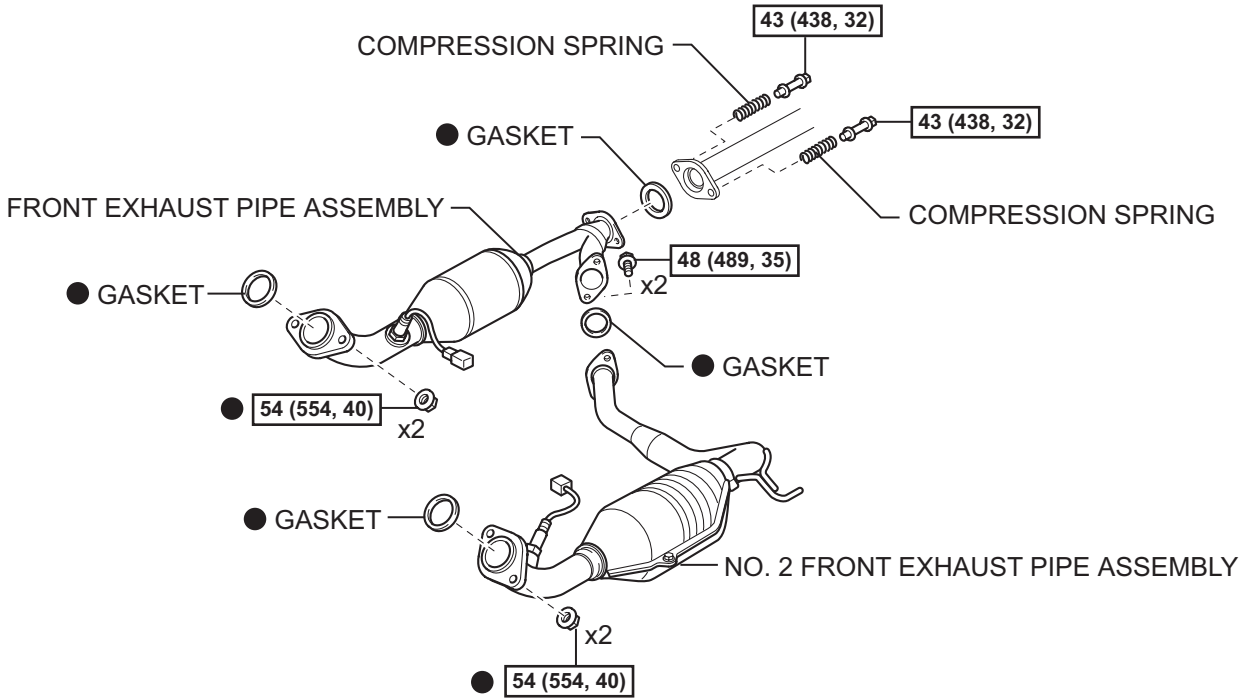


POWER STEERING LINK (for 4WD)

COMPONENTS

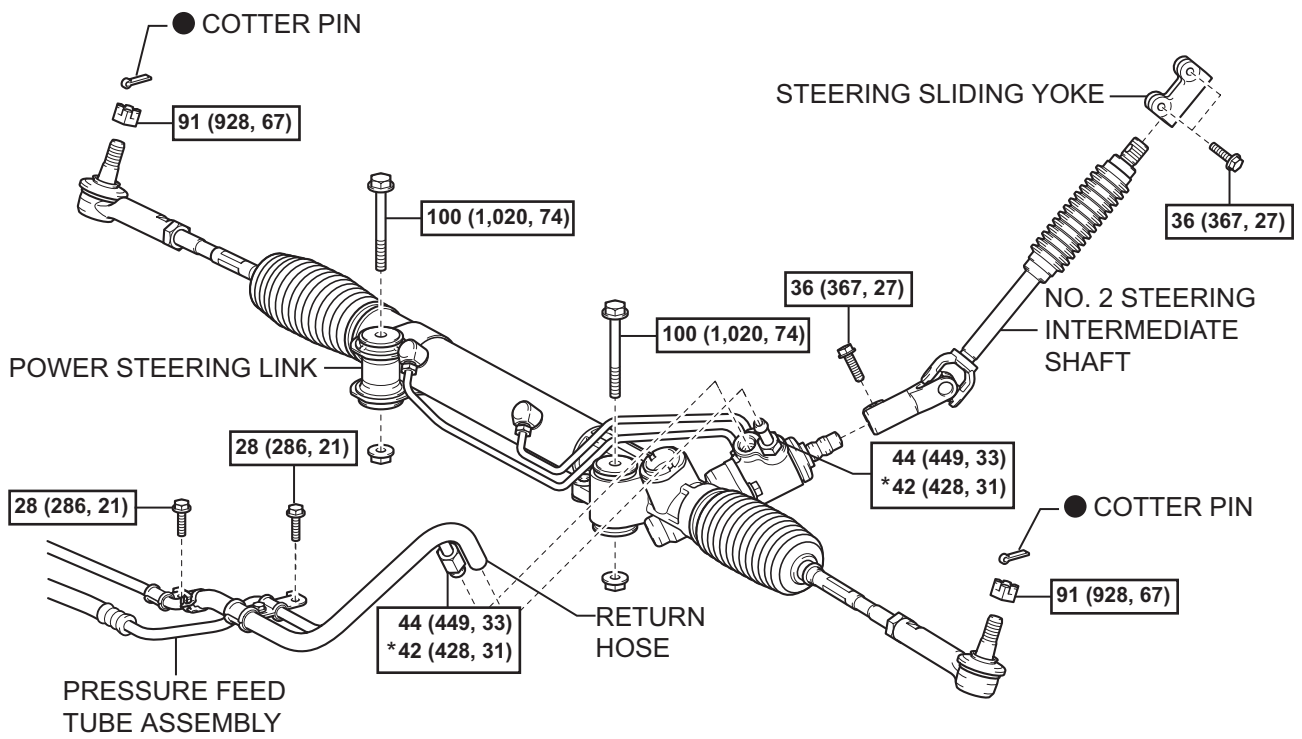
PS



N*m (kgf*cm, ft*lbf) : Specified torque

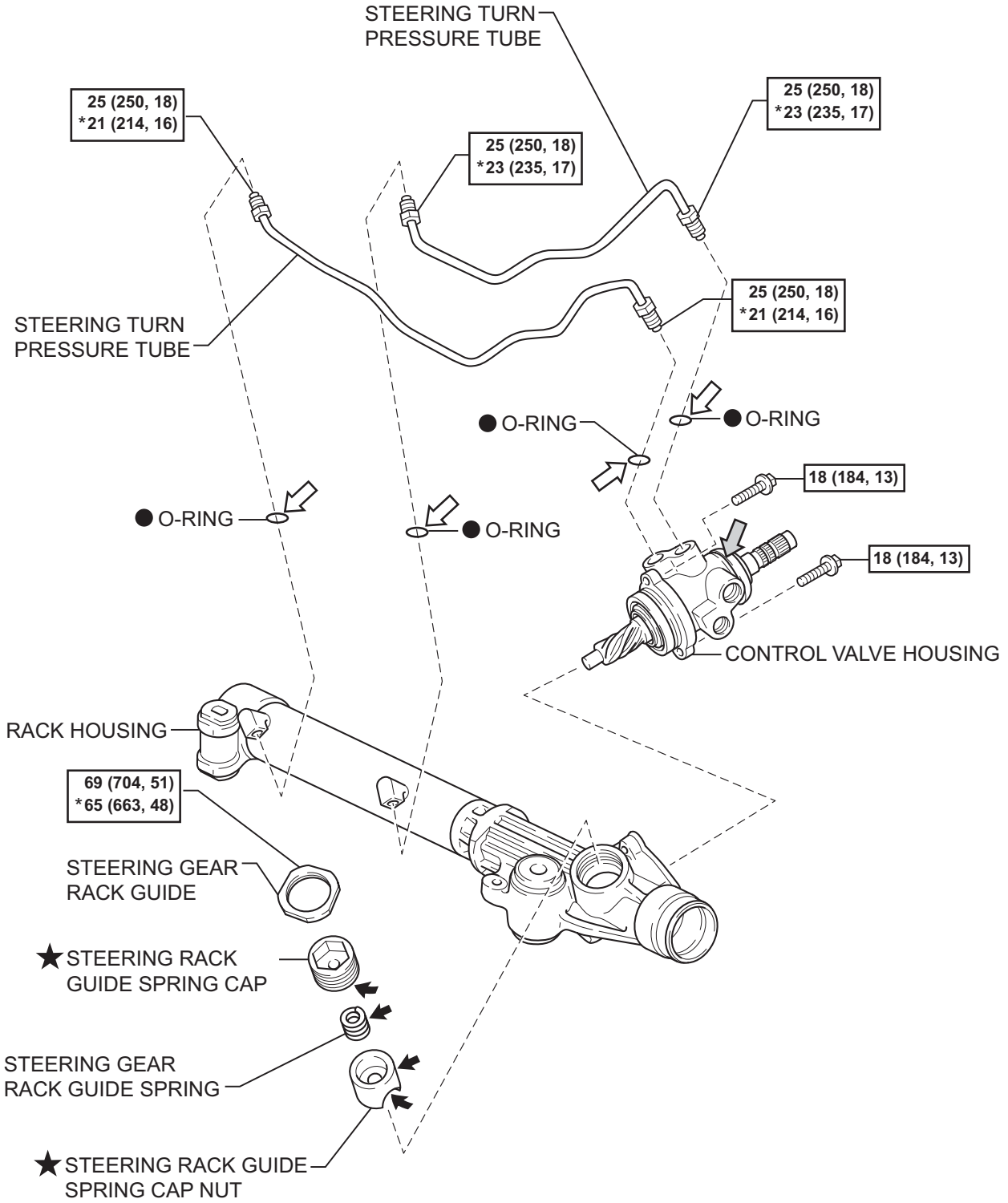
● Non-reusable part

PS



N*m (kgf*cm, ft*lbf) : Specified torque ● Non-reusable part * For use with SST

P



N*m (kgf*cm, ft*lb) : Specified torque

← Molybdenum disulfide lithium base grease * For use with SST

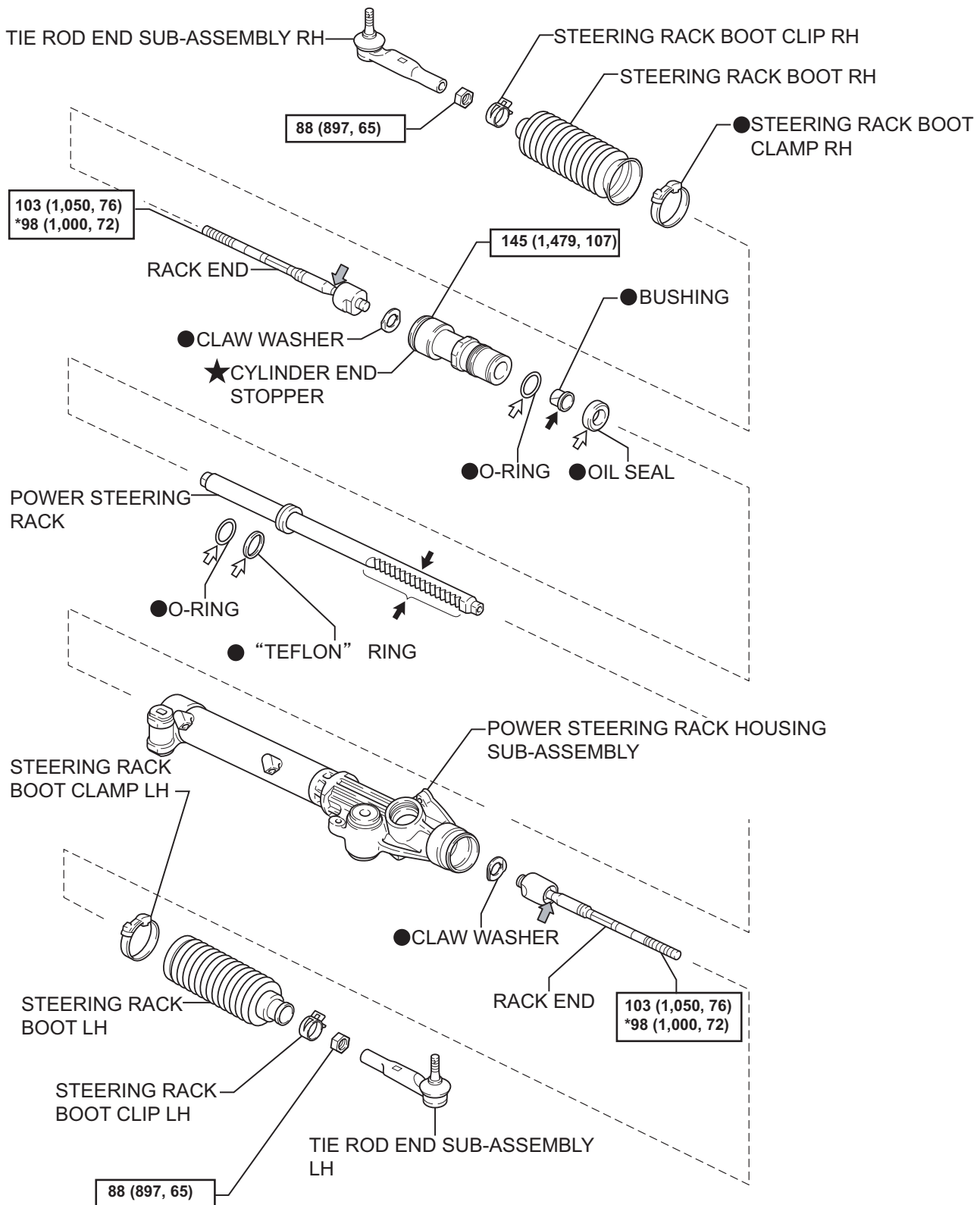
● Non-reusable part

← Power steering fluid

★ Precoated part

← MP grease

PS



$N \cdot m$ (kgf*cm, ft.*lbf) ; Specified torque

← Molybdenum disulfide lithium base grease

● Non-reusable part

↔ Power steering fluid

↔ MP grease

★ Liquid sealant

* For use with SST